

SHACK™
**SMPTE HYBRID ALTERNATIVE
CONNECTOR KIT**



**SHACK™ – SMPTE conversion device
for singlemode fibre (SC, ST, FC or LC)**

The SHACK™ is a conversion system from SMPTE connectors/cable to standard singlemode connectors.

The system provides a transition from optical communication over hybrid (copper and fibre) cables to optical communication over commonly available singlemode fibre

optic cables. The SHACK™ permits the camera to be locally powered while allowing the optical signals to be transmitted.

It is a lightweight and very compact solution for stadiums, sports arenas or outside broadcast applications.

Technical characteristics

Characteristics	Values
Transmission wavelength	Supports 1250 nm - 1625 nm
Fibre type	Singlemode
Hybrid connector	LEMO 3K.93C Series
Singlemode fibre connector	SC, ST, FC, LC
Temperature range	-20°C to +60°C
CCU supply voltage range	15 V to 360 V
EMI/RFI	Complies with 89/336/EEC
Electrical	Complies with EN 61000-6-1, EN61000-6-2
Laser Safety	Complies with Class 1 laser product 24 CFR 1040.10 & 1040.11
RoHS	Complies with Directive 2002/95/EC
Humidity range	Up to 95%
Warranty	5 years

Features

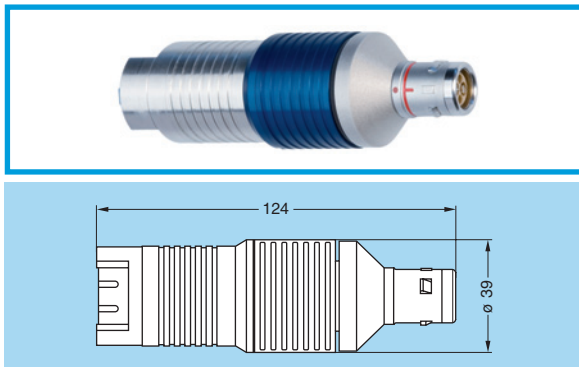
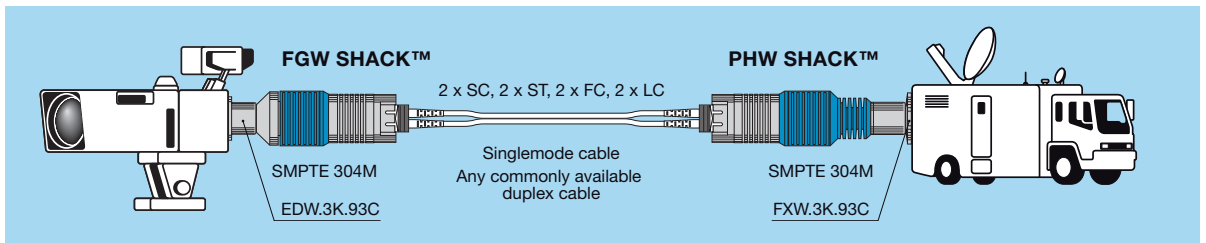
- Converts from SMPTE 304M connectors to standard duplex fibre optic cable assemblies
- Plugs directly into camera/base station

Advantages

- Plug & play solution
- High quality signal transmitted over fibre
- Compact
- Uses inexpensive SC, ST, FC or LC connectors

Applications

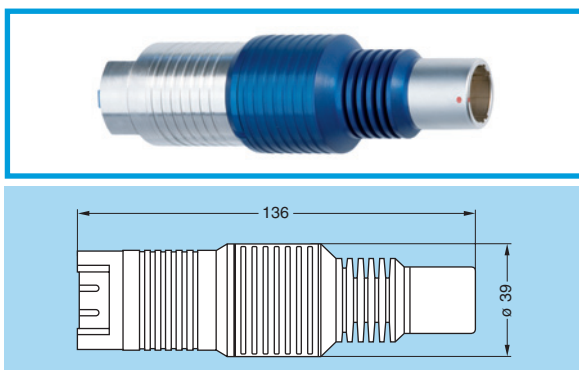
- Golf, skiing, auto racing, olympic games
- Pre-fibred venues
- Stadiums, racing tracks



FGW Straight plug 3K.93C - singlemode

Part Number	Singlemode fibre connector	Note
FGW.3K.93C.CLMSC	SC	●
FGW.3K.93C.CLMST	ST	●
FGW.3K.93C.CLMFC	FC	○
FGW.3K.93C.CLMLC	LC	○

- Standard
- Upon request



PHW Free socket 3K.93C - singlemode

Part Number	Singlemode fibre connector	Note
PHW.3K.93C.CLSC	SC	●
PHW.3K.93C.CLST	ST	●
PHW.3K.93C.CLFC	FC	○
PHW.3K.93C.CLCLC	LC	○

- Standard
- Upon request

LEMO HEADQUARTERS

SWITZERLAND
LEMO SA
Chemin des Champs-Courbes 28 - P.O. Box 194 - CH-1024 Ecublens
Tel. (+41 21) 695 16 00 - Fax (+41 21) 695 16 02 - e-mail: info@lemo.com

www.lemo.com